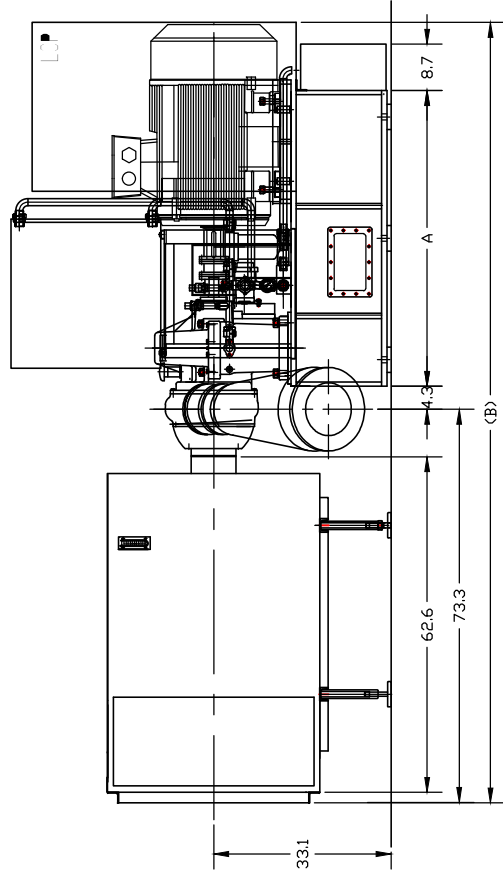
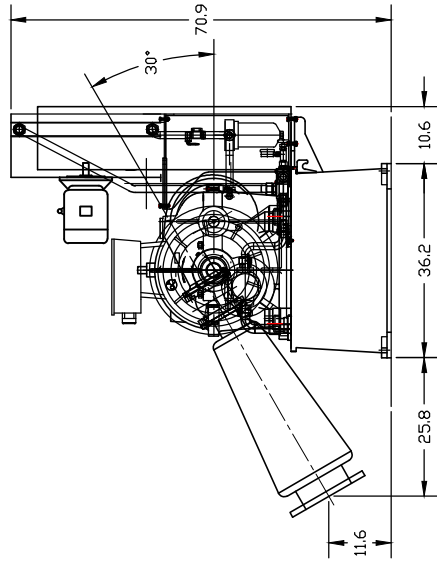
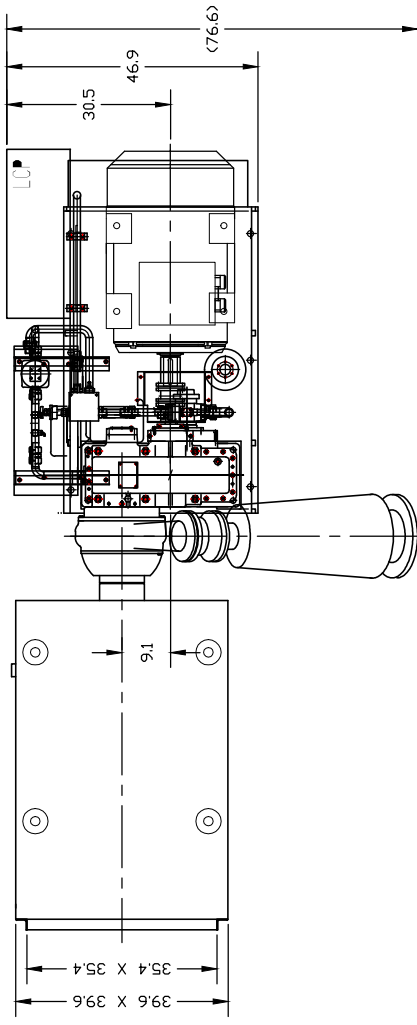


NOTES:

1. BLOWER OUTLET ANGLE ADJUSTABLE EVERY 15°
2. BLOWER INSTALLED BY EXPANSION BOLTS

REV	DESCRIPTION	DATE	APPROVED



**PROPRIETARY NOTICE**  
 LONE STAR BLOWER PROPRIETARY RIGHTS ARE INCLUDED HEREIN. THIS INFORMATION MAY NOT BE COPIED, TRANSFERRED, OR DISCLOSED, EXCEPT AS AUTHORIZED BY LONE STAR BLOWER.

**MODEL INFO**  
 UNSPECIFIED GEOMETRY MAY BE OBTAINED FROM THE DATABASE PROVIDED THAT THE DATABASE IS IDENTICAL TO THAT SPECIFIED BELOW AND (2) STATE IS SPECIFIED AS "RELEASED".  
 MODEL FILE: GL1-WX-01

**UNLESS OTHERWISE SPECIFIED**  
 INTERPRET GEOMETRIC DIMENSIONS & TOLERANCING PER ASME Y14.5M-1994

**DO NOT SCALE**

**DIMENSIONAL UNITS: INCHES**

**THIRD ANGLE PROJECTION**

**DRAWING IS FOR REFERENCE ONLY UNLESS SPECIFIED AS RELEASED.**

**APPROVALS**

DRAWN	BW	29-APR-2015
CHECK		
ENGINEER		
MANUFACTURING		
CONTROL		
APPROVED		

**LONE STAR BLOWER**

**TITLE**  
 GL1-WX-01  
 W/O SOUND ENCLOSURE

**SIZE** CASE CODE DWG NUMBER REV  
 A - GL1-WX-01 01

**SCALE** NTS  
 SCALE 1 OF 1

MOTOR	A	B	TOTAL WEIGHT (LBS.)
75kw	55.1	144.1	5159
90kw	55.1	144.1	5203
110kw	55.1	145.6	5368