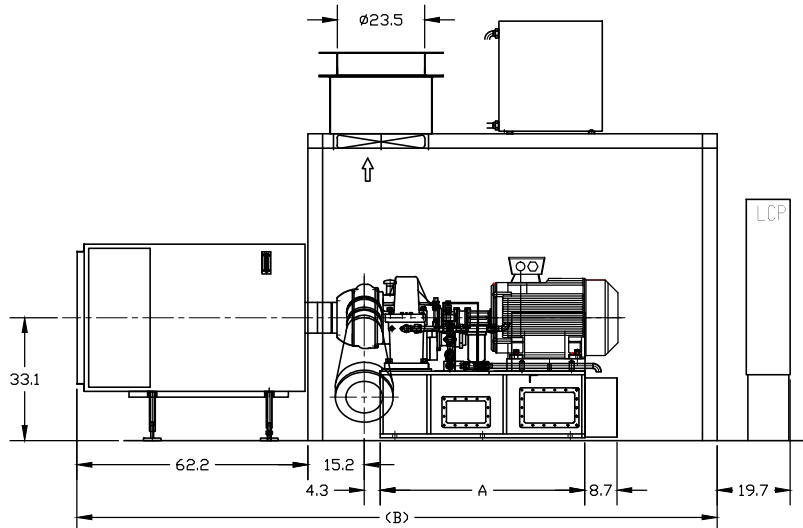
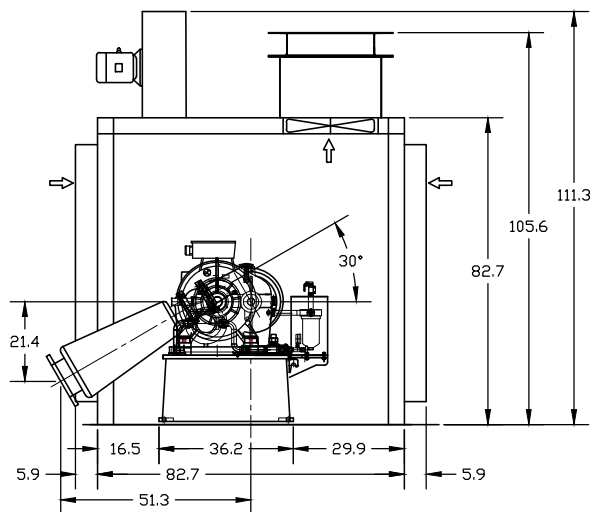
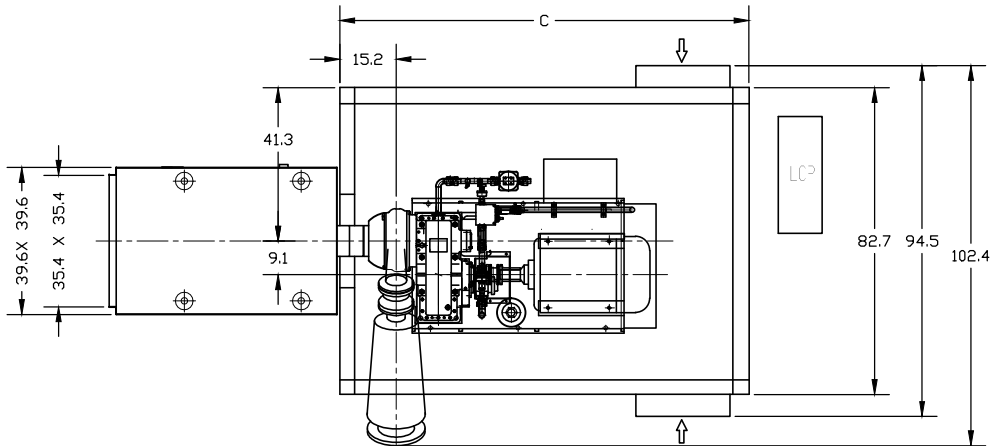


NOTES:

1. BLOWER OUTLET ANGLE ADJUSTABLE EVERY 15° RADIALLY
2. BLOWER INSTALLED BY EXPANSION BOLTS

REVISION HISTORY			
REV	DESCRIPTION	DATE	APPROVED



MOTOR	A	B	TOTAL WEIGHT (LBS.)
75kw	55.1	172.4	4695
90kw	55.1	172.4	4739
110kw	55.1	172.4	4905

PROPRIETARY NOTICE
 LONE STAR BLOWER PROPRIETARY RIGHTS ARE INCLUDED HEREIN. THIS INFORMATION MAY NOT BE COPIED, TRANSFERRED, OR DISCLOSED, EXCEPT AS AUTHORIZED BY LONE STAR BLOWER.

MODEL INFO
 UNSPECIFIED GEOMETRY MAY BE OBTAINED FROM THE DATABASE PROVIDED: (1) NAME & VERSION ARE IDENTICAL TO THAT SPECIFIED BELOW AND (2) STATE IS SPECIFIED AS "RELEASED"
 MODEL FILE: GL1-WX-02

UNLESS OTHERWISE SPECIFIED
 INTERPRET GEOMETRIC DIMENSIONING & TOLERANCING PER ASME Y14.5M-1994
 DO NOT SCALE

DIMENSIONAL UNITS: INCHES
 THIRD ANGLE PROJECTION

DRAWING IS FOR REFERENCE ONLY UNLESS SPECIFIED AS RELEASED.

APPROVALS		
DRAWN	BW	30-APR-2015
CHECK		
ENGINEER		
MANUFACTURING		
CONTROL		
APPROVED		



LONE STAR BLOWER

TITLE			
GL1-WX-02			
WITH SOUND ENCLOSURE			
SIZE	CAGE CODE	DWG NUMBER	REV
A	-	GL1-WX-02	01
SCALE NTS		SHEET 1 OF 1	