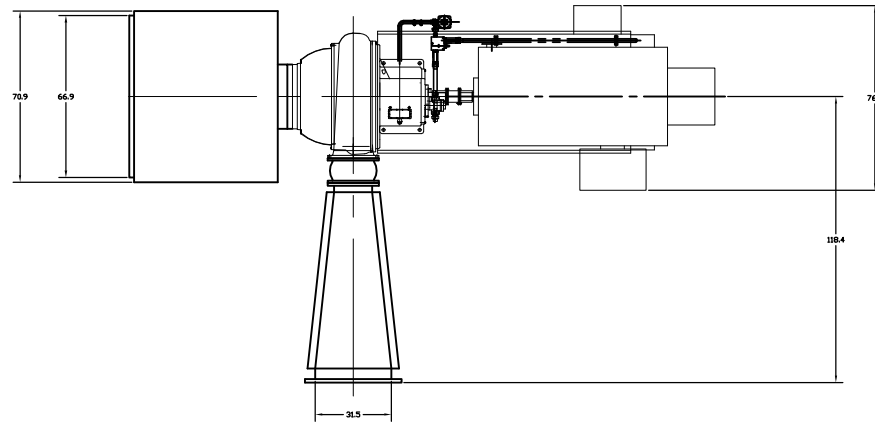
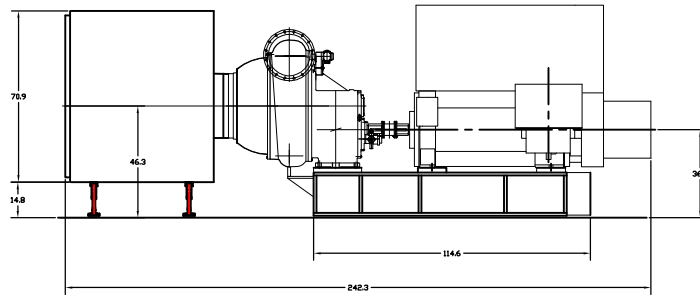
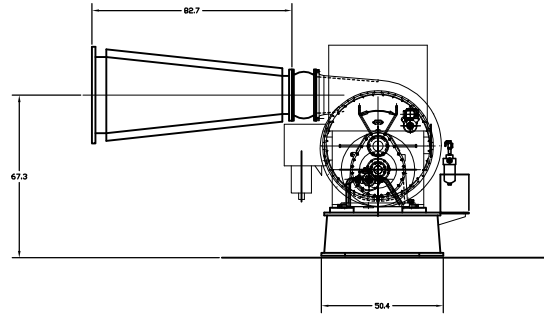



REVISION HISTORY			
REV	DESCRIPTION	DATE	APPROVED



- NOTES:
- BLOWER OUTLET ANGLE ADJUSTABLE EVERY 15° RADIALLY
 - BLOWER INSTALLED BY EXPANSION BOLTS

PROPRIETARY NOTICE LONE STAR BLOWER PROPRIETARY RIGHTS ARE INCLUDED HEREIN. THIS INFORMATION MAY NOT BE COPIED, TRANSFERRED, OR DISCLOSED, EXCEPT AS AUTHORIZED BY LONE STAR BLOWER.	UNLESS OTHERWISE SPECIFIED INTERPRET GEOMETRIC DIMENSIONING & TOLERANCING PER ASME Y14.5M-1994	DRAWING IS FOR REFERENCE ONLY UNLESS SPECIFIED AS RELEASED.			 LONE STAR BLOWER
	DO NOT SCALE	APPROVALS DRAWN JMC 7/30/2015 CHECK ENGINEER MANUFACTURING CONTROL APPROVED	TITLE GL-15 LAYOUT		
MODEL INFO UNSPECIFIED GEOMETRY MAY BE OBTAINED FROM THE DATABASE PROVIDED: (1) NAME & VERSION ARE IDENTICAL TO THAT SPECIFIED BELOW AND (2) STATE IS SPECIFIED AS "RELEASED"	DIMENSIONAL UNITS: INCHES THIRD ANGLE PROJECTION	SIZE A CAGE CODE - DWG NUMBER GL15-WX-01 REV 0		SCALE 1:79.4455 SHEET 1 OF 1	
MODEL FILE: MODEL FILE NAME	