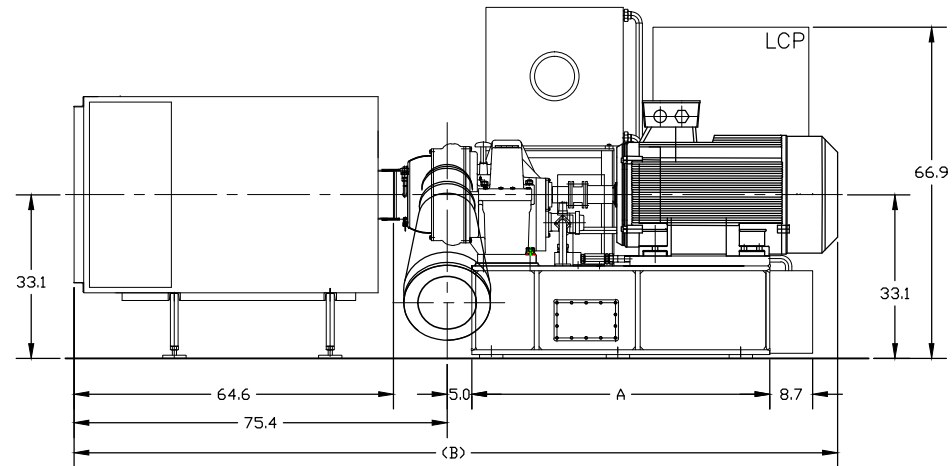
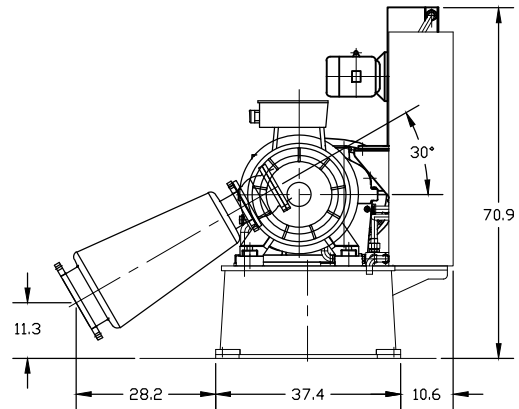
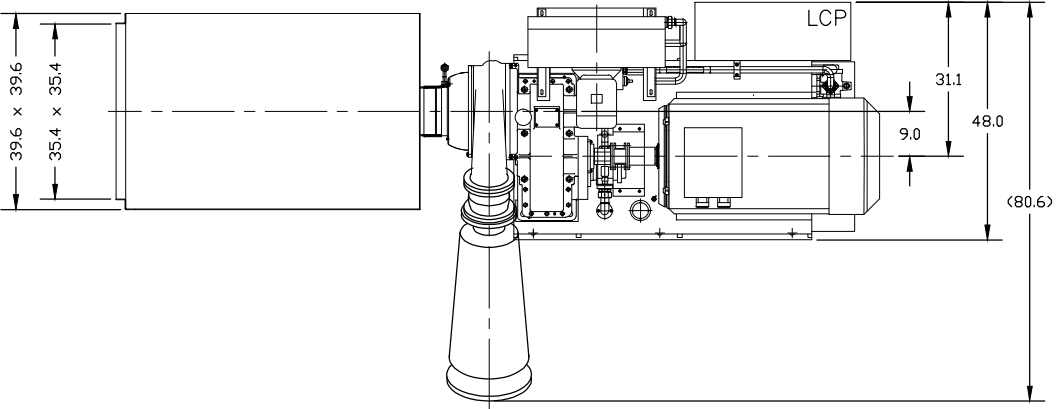



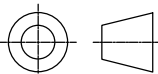
NOTES:

1. BLOWER OUTLET ANGLE ADJUSTABLE EVERY 15°
2. BLOWER INSTALLED BY EXPANSION BOLTS

REVISION HISTORY			
REV	DESCRIPTION	DATE	APPROVED



MOTOR	A	B	TOTAL WEIGHT (LBS.)
75kw	55.1	144.1	5247
90kw	55.1	144.1	5291
110kw	55.1	147.2	5666
132kw	60.2	154.3	6305
160kw	60.2	154.3	6559
185kw	60.2	154.3	6801
200kw	60.2	154.3	6823
220kw	66.9	162.1	8135
250kw	66.9	162.1	8245

<p>PROPRIETARY NOTICE</p> <p>LONE STAR BLOWER PROPRIETARY RIGHTS ARE INCLUDED HEREIN. THIS INFORMATION MAY NOT BE COPIED, TRANSFERRED, OR DISCLOSED, EXCEPT AS AUTHORIZED BY LONE STAR BLOWER.</p>	<p>UNLESS OTHERWISE SPECIFIED</p> <p>INTERPRET GEOMETRIC DIMENSIONING & TOLERANCING PER ASME Y14.5M-1994</p> <p>DO NOT SCALE</p>	<p>DRAWING IS FOR REFERENCE ONLY UNLESS SPECIFIED AS RELEASED.</p>		 <p>LONE STAR BLOWER</p>																
		<p>APPROVALS</p> <table border="1"> <tr> <td>DRAWN</td> <td>BW</td> <td>09-MAR-2015</td> </tr> <tr> <td>CHECK</td> <td> </td> <td> </td> </tr> <tr> <td>ENGINEER</td> <td> </td> <td> </td> </tr> <tr> <td>MANUFACTURING</td> <td> </td> <td> </td> </tr> <tr> <td>CONTROL</td> <td> </td> <td> </td> </tr> <tr> <td>APPROVED</td> <td> </td> <td> </td> </tr> </table>			DRAWN	BW	09-MAR-2015	CHECK			ENGINEER			MANUFACTURING			CONTROL			APPROVED
DRAWN	BW	09-MAR-2015																		
CHECK																				
ENGINEER																				
MANUFACTURING																				
CONTROL																				
APPROVED																				
<p>MODEL INFO</p> <p>UNSPECIFIED GEOMETRY MAY BE OBTAINED FROM THE DATABASE PROVIDED: (1) NAME & VERSION ARE IDENTICAL TO THAT SPECIFIED BELOW AND (2) STATE IS SPECIFIED AS "RELEASED"</p> <p>MODEL FILE: GL2-WX-01</p>	<p>DIMENSIONAL UNITS: INCHES</p> <p>THIRD ANGLE PROJECTION</p> 	<table border="1"> <tr> <td>SIZE</td> <td>CAGE CODE</td> <td>DWG NUMBER</td> <td>REV</td> </tr> <tr> <td>A</td> <td>-</td> <td>GL2-WX-01</td> <td>01</td> </tr> </table>	SIZE	CAGE CODE	DWG NUMBER	REV	A	-	GL2-WX-01	01	<p>SCALE NTS</p> <p>SHEET 1 OF 1</p>									
SIZE	CAGE CODE	DWG NUMBER	REV																	
A	-	GL2-WX-01	01																	