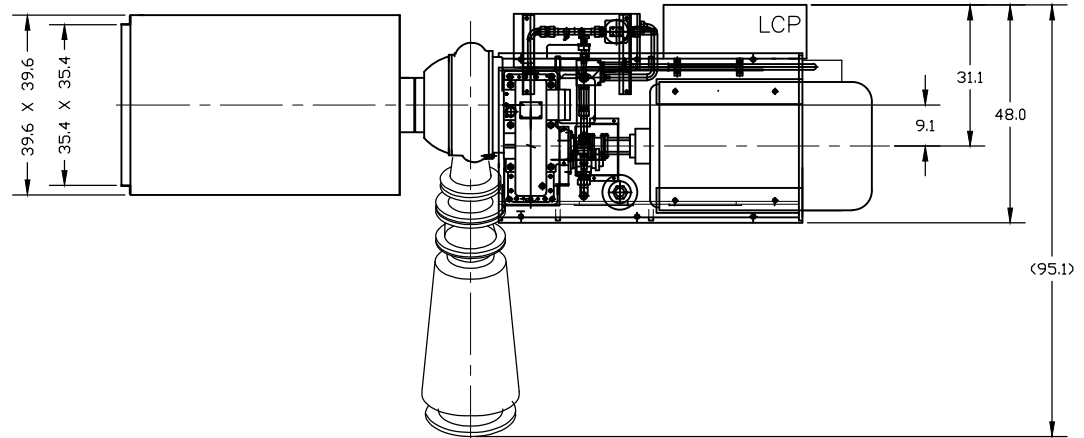
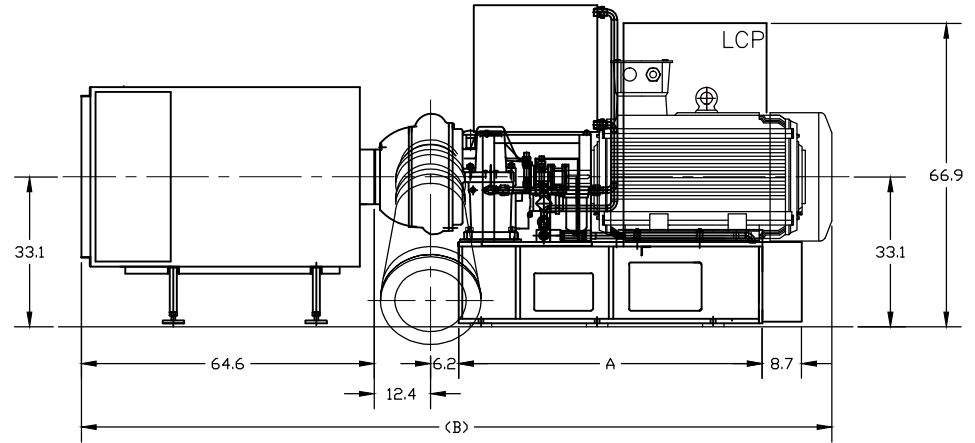
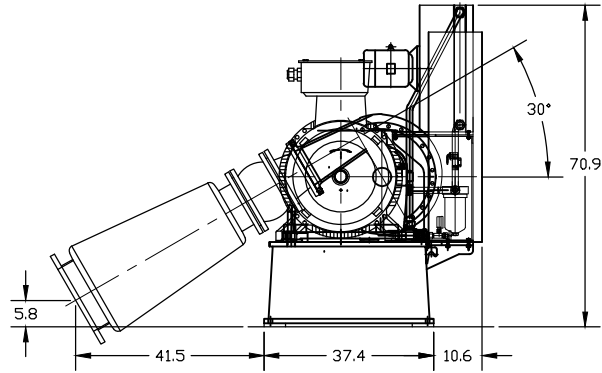



NOTES:

1. BLOWER OUTLET ANGLE ADJUSTABLE EVERY 15°
2. BLOWER INSTALLED BY EXPANSION BOLTS

REVISION HISTORY			
REV	DESCRIPTION	DATE	APPROVED



MOTOR	A	B	TOTAL WEIGHT (LBS.)
100 HP	55.1	147.2	5610
125 HP	55.1	147.2	5632
150 HP	55.1	150.6	6028
200 HP	60.2	157.7	6479
250 HP	60.2	157.7	6732
300 HP	60.2	157.7	6996
350 HP	66.9	165.4	8525
400 HP	66.9	165.4	8921
450 HP	66.9	165.4	8943

PROPRIETARY NOTICE LONE STAR BLOWER PROPRIETARY RIGHTS ARE INCLUDED HEREIN. THIS INFORMATION MAY NOT BE COPIED, TRANSFERRED, OR DISCLOSED, EXCEPT AS AUTHORIZED BY LONE STAR BLOWER.		UNLESS OTHERWISE SPECIFIED INTERPRET GEOMETRIC DIMENSIONING & TOLERANCING PER ASME Y14.5M-1994 DO NOT SCALE		DRAWING IS FOR REFERENCE ONLY UNLESS SPECIFIED AS RELEASED. APPROVALS DRAWN: BW 14-MAR-2015 CHECK: ENGINEER: MANUFACTURING: CONTROL: APPROVED:		 LONE STAR BLOWER TITLE GL3-WX-01 W/O SOUND ENCLOSURE
MODEL INFO UNSPECIFIED GEOMETRY MAY BE OBTAINED FROM THE DATABASE PROVIDED: (1) NAME & VERSION ARE IDENTICAL TO THAT SPECIFIED BELOW AND (2) STATE IS SPECIFIED AS "RELEASED"		DIMENSIONAL UNITS: INCHES THIRD ANGLE PROJECTION		SIZE: A CAGE CODE: - DWG NUMBER: GL3-WX-01 SCALE: NTS		

