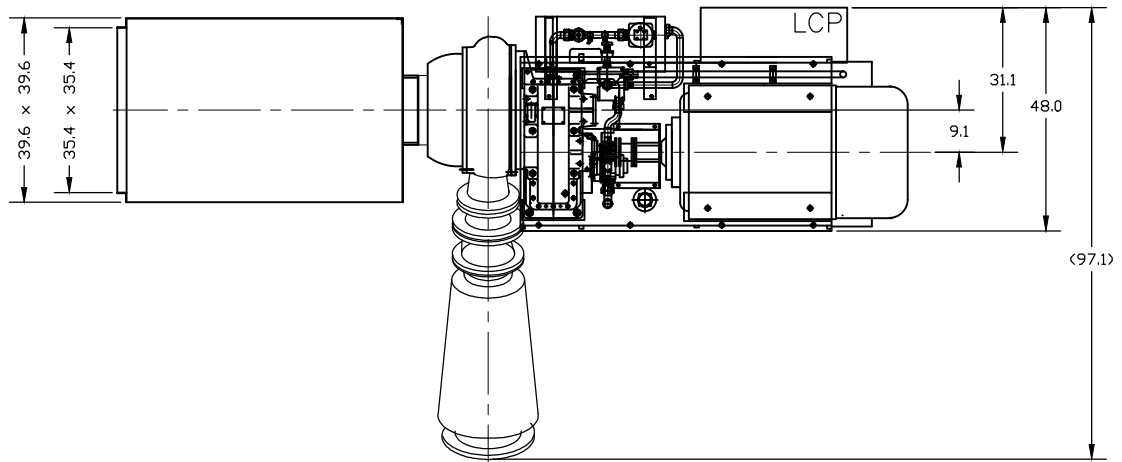
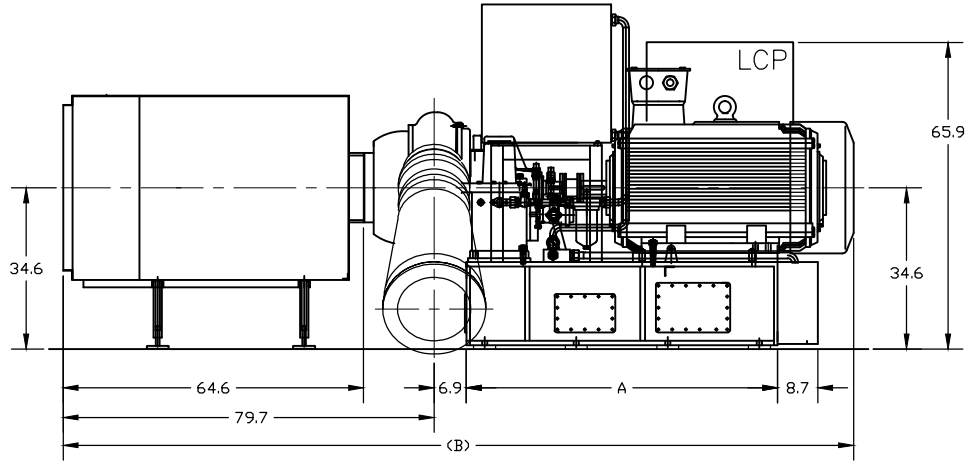
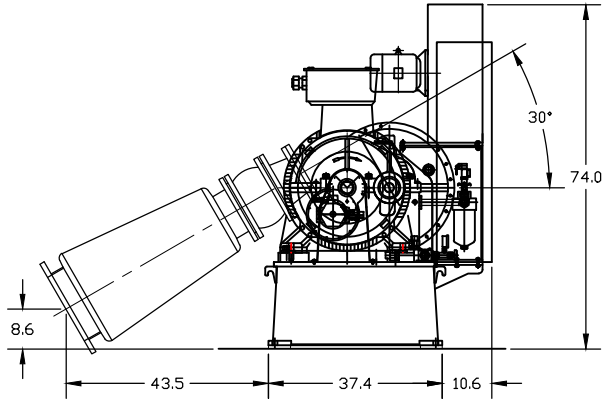



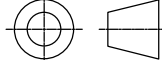
NOTES:

1. BLOWER OUTLET ANGLE ADJUSTABLE EVERY 15°
2. BLOWER INSTALLED BY EXPANSION BOLTS

REVISION HISTORY			
REV	DESCRIPTION	DATE	APPROVED



MOTOR	A	B	TOTAL WEIGHT (LBS.)
90kw	55.1	151.7	6228
110kw	55.1	155.1	6603
132kw	62.2	162.2	7077
160kw	62.2	162.2	7330
185kw	62.2	162.2	7573
200kw	62.2	162.2	7595
220kw	66.9	169.9	8422
250kw	66.9	169.9	8532
280kw	66.9	169.9	8929
315kw	66.9	169.9	8951

PROPRIETARY NOTICE LONE STAR BLOWER PROPRIETARY RIGHTS ARE INCLUDED HEREIN. THIS INFORMATION MAY NOT BE COPIED, TRANSFERRED, OR DISCLOSED, EXCEPT AS AUTHORIZED BY LONE STAR BLOWER.	UNLESS OTHERWISE SPECIFIED INTERPRET GEOMETRIC DIMENSIONING & TOLERANCING PER ASME Y14.5M-1994 DO NOT SCALE	DRAWING IS FOR REFERENCE ONLY UNLESS SPECIFIED AS RELEASED.		 LONE STAR BLOWER	
		APPROVALS DRAWN: BW 14-MAR-2015 CHECK: ENGINEER: MANUFACTURING: CONTROL: APPROVED:			TITLE GL5-WX-01 W/O SOUND ENCLOSURE
MODEL INFO UNSPECIFIED GEOMETRY MAY BE OBTAINED FROM THE DATABASE PROVIDED: (1) NAME & VERSION ARE IDENTICAL TO THAT SPECIFIED BELOW AND (2) STATE IS SPECIFIED AS "RELEASED"	DIMENSIONAL UNITS: INCHES THIRD ANGLE PROJECTION			SIZE: A CAGE CODE: - DWG NUMBER: GL5-WX-01 SCALE: NTS	REV: 01 SHEET 1 OF 1
MODEL FILE: GL5-WX-01		TITLE: LONE STAR BLOWER			