



Model MAX15-C060

Service
Air and Pressure

Standard Specifications

Gas	Air Only
Flow Range.....	100% to 45% of Rated Flow*
Maximum Case Pressure	35 PSIG / 2.4 bar
VFD (integral).....	Vacon, KEB, Yaskawa
Stages.....	Single Stage
Power Driver Options.....	Intregal Permanent Magnet Electric Motor
Cooling	Self Cooled Air Cooled
Bearings	NSTB+ Air Foil
Enclosure.....	Standard
Sound Level.....	75 dB @ 3 feet free field
Filtration Rating (std).....	99% at 2 micron, or as required

Control Options

Control Methods	Speed Control, Blow Off Control, Pressure, Flow
Local Controller.....	sLOC™ Standard - Custom for Allen Bradley, Modicon, Siemens or Other
HMI.....	sLOC™ Standard or Custom HMI
Remote Monitoring	sLINK™ or Custom
Control Set Points	Pressure, Flow, Power, Custom Input

Standard Materials of Construction

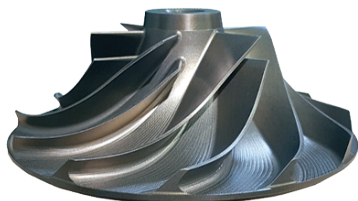
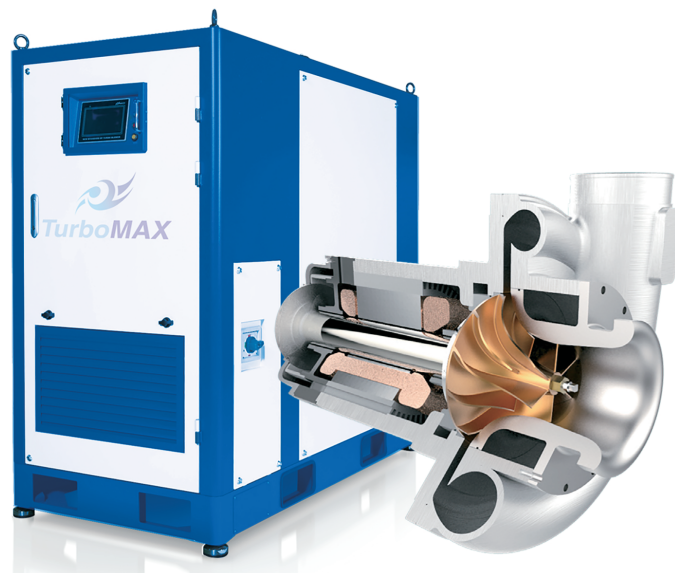
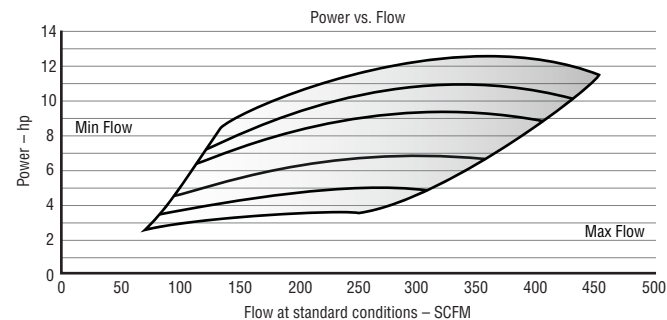
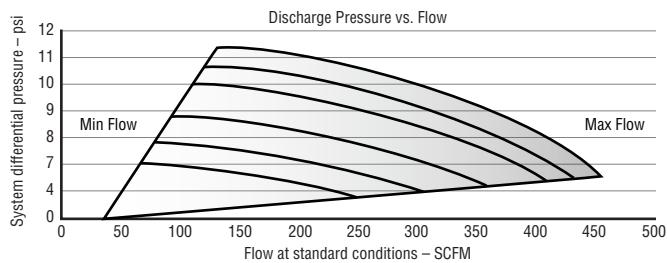
Casing.....	A356 Cast Aluminum
Volute	A356 Cast Aluminum
Bearings	Inconel with Teflon, Nano Silver Coatings
Impeller.....	5 Axis Machined anodized 7075 Aluminum
Shaft	Titanium alloy with Sm2C017 Magnets
Blower Base Skid	ASTM A36 Structural Steel
Isolation Pads.....	Adjustable Feet with Mounting Anchor
Finish.....	Powder Coated Cabinet

Optional Testing & Certifications

Electrical.....	UL 508A, UL 1450, CSA, CE, IEEE519
Hazardous Location	Not Classified
Balancing.....	ISO 1940 - G2.5, ~4W/N API
Noise Level.....	OSHA 1910.95, ISO 2151:2004
Performance Testing	ASME PTC-10, PTC-13, ISO 5389

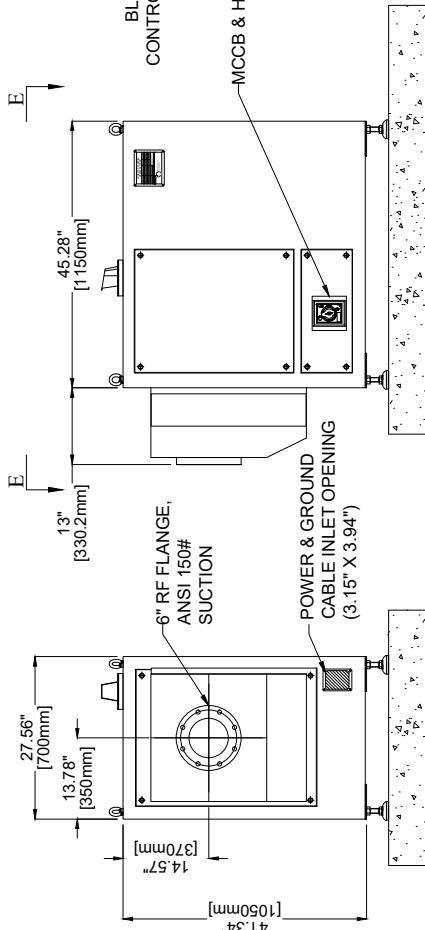
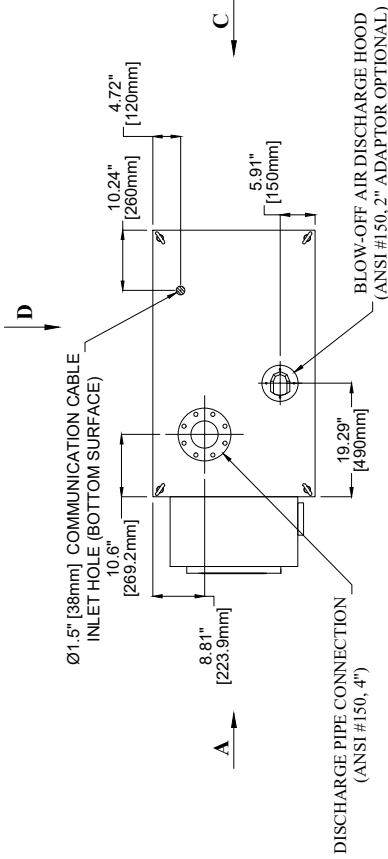
Standard Options

- High and Low Ambient Temperature
- Sperated Electrical and Mechanical Enclosure
- Flanged Intake
- Outdoor Enclosure
- Dual and Duplex Options
- Harmonic Filter

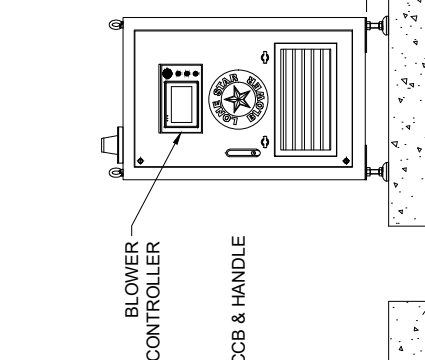


REV	DESCRIPTION	DATE	APPROVED

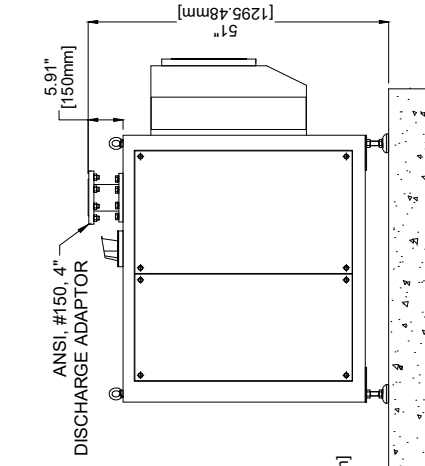
VIEW "E-E"
(LOOKING DOWNWARD)



VIEW "A"
(REAR SIDE)



VIEW "C"
(FRONT SIDE)



VIEW "D"
(RIGHT SIDE)

MODELS	WEIGHT
MAX15-C060	660 LBS (300 KG)

	DRAWING IS FOR REFERENCE ONLY UNLESS SPECIFIED AS RELEASED.	
	APPROVALS	
TITLE DT SERIES – FLANGED OPTION BLOWER MAX15-C060	DATE 02/18/2020	SCALE 1 OF 1
DRAWN JMC	CHECK 	ENGINEER
MANUFACTURING CONTROL APPROVED	DWG NUMBER MAX15-C060F	REV 0

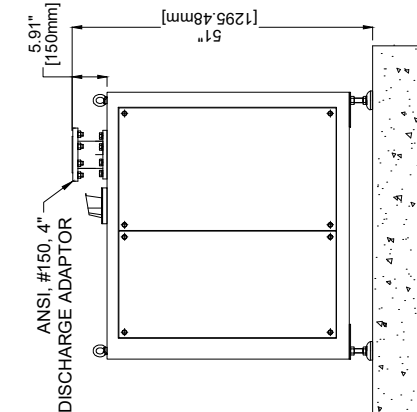
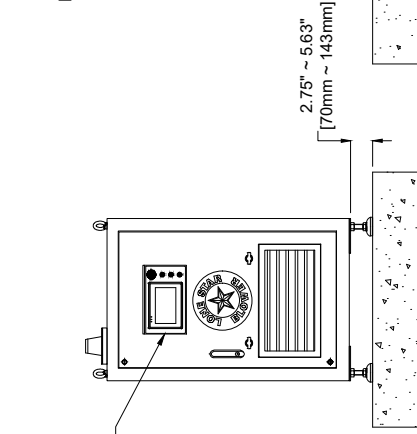
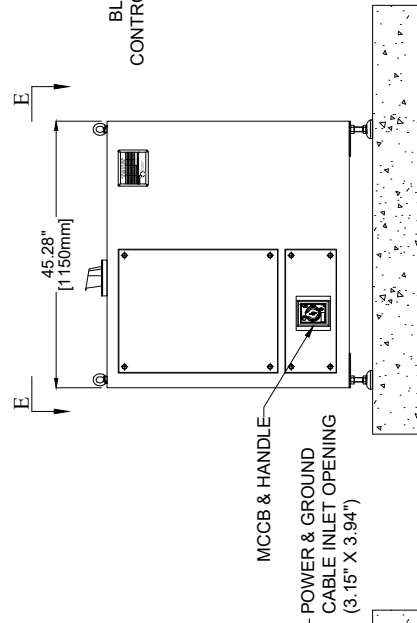
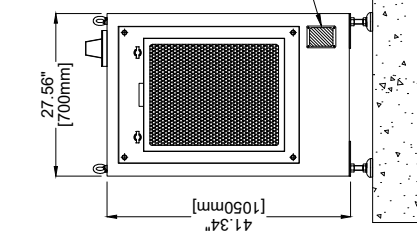
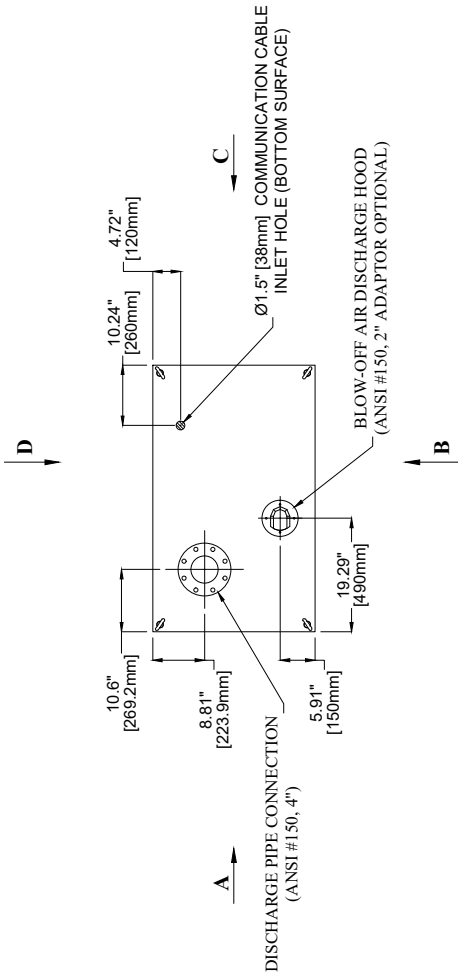
UNLESS OTHERWISE SPECIFIED DO NOT SCALE

LONE STAR BLOWER PROPRIETARY RIGHTS ARE INCLUDED HEREIN. THIS INFORMATION MAY NOT BE COPIED, TRANSMITTED, OR DISCLOSED, EXCEPT AS AUTHORIZED BY LONE STAR BLOWER.

THIRD ANGLE PROJECTION

REV	DESCRIPTION	DATE	APPROVED

VIEW "E-E"
(LOOKING DOWNWARD)



		LONE STAR BLOWER	
DRAWING IS FOR REFERENCE ONLY UNLESS SPECIFIED AS RELEASED.		TITLE DT SERIES - LOUVER OPTION BLOWER MAX15-C060	
APPROVALS DRAWN: JMC CHECK: [] ENGINEER: [] MANUFACTURING: [] CONTROL: [] APPROVED: []		DATE: 02/18/2020 DWG NUMBER: MAX15-C060L SCALE: 1 OF 1	
UNLESS OTHERWISE SPECIFIED DO NOT SCALE. LONE STAR BLOWER PROPRIETARY RIGHTS ARE INCLUDED HEREIN. THIS INFORMATION MAY NOT BE COPIED, TRANSMITTED, OR DISCLOSED, EXCEPT AS AUTHORIZED BY LONE STAR BLOWER.		THIRD ANGLE PROJECTION 	

MODELS	WEIGHT
MAX15-C060	550 LBS (250 KG)